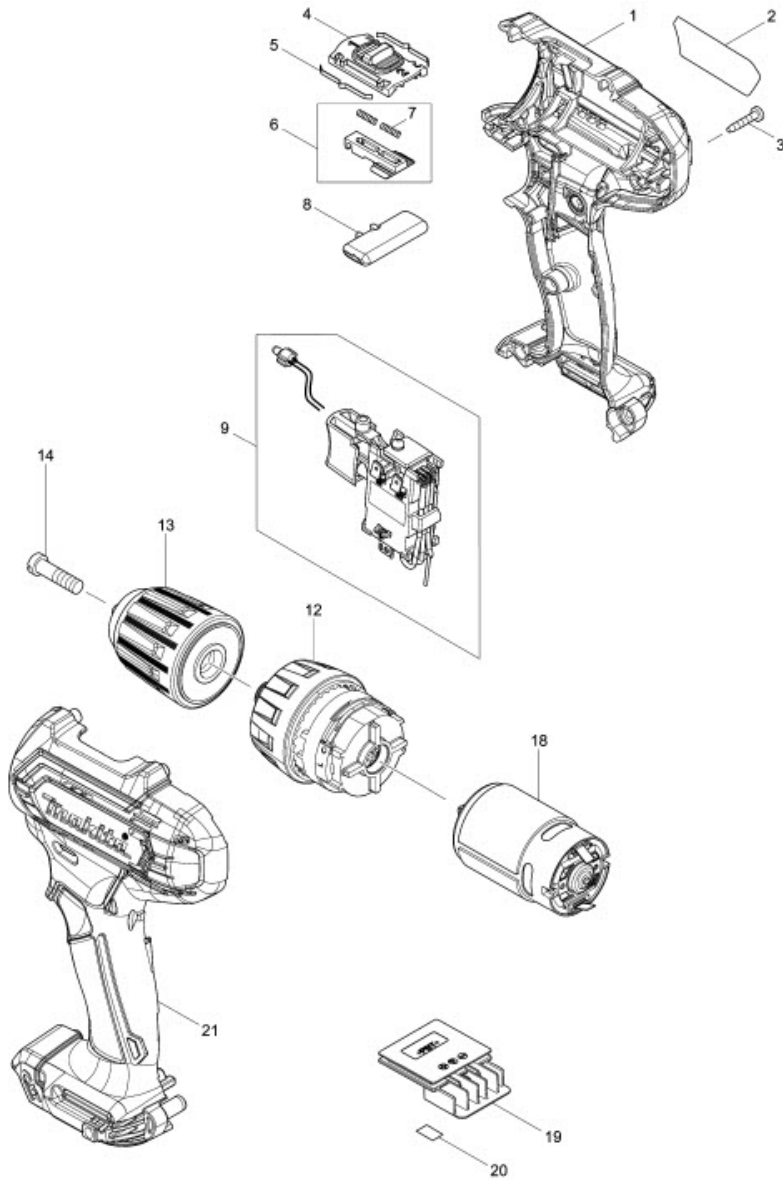


Part Diagram

Model No.DF333D CORDLESS DRIVER DRILL



| Item | Sub | Parts No. | Parts Description | Qty |
|--------|-----|-----------|---------------------------|-----|
| 1 | | 183K90-5 | HOUSING SET | 1 |
| 1 | C10 | 252126-6 | HEX. LOCK NUT M4-7 | 2 |
| 1 | D10 | | INC. 21 | |
| 2 | | 855E35-4 | DF333D NAME PLATE | 1 |
| 3 | | 266429-2 | TAPPING SCREW 3X16 | 9 |
| 4 | | 459026-3 | SPEED CHANGE LEVER | 1 |
| 5 | | 232493-5 | LEAF SPRING | 2 |
| 6 | | 127127-2 | CHANGE LEVER ASSEMBLY | 1 |
| 6 | D10 | | INC. 7 | |
| 7 | | 233025-1 | COMPRESSION SPRING 2 | 2 |
| 8 | | 456039-5 | F/R CHANGE LEVER | 1 |
| 9 | | 632J77-3 | SWITCH UNIT | 1 |
| 9 | C10 | 620625-0 | LED CIRCUIT | 1 |
| 12 | | 127125-6 | GEAR ASSEMBLY | 1 |
| 13 | | 763238-5 | KEYLESS DRILL CHUCK 10 | 1 |
| 14 | | 251468-5 | - FLAT HEAD SCREW M6X22 | 1 |
| 18 | | 629395-8 | DC MOTOR | 1 |
| 19 | | 644813-5 | TERMINAL | 1 |
| 20 | | 855E42-7 | DF333D SERIAL NO. LABEL | 1 |
| 21 | | 183K90-5 | HOUSING SET | 1 |
| 21 | C10 | 252126-6 | HEX. LOCK NUT M4-7 | 2 |
| 21 | D10 | | INC. 1 | |
| A01 | | 251314-2 | + SCREW M4X12 | 1 |
| A02 | | 346909-5 | HOOK | 1 |
| A03 | | 784202-3 | PHILLIPS BIT 2-45 | 1 |
| A04 | | 821661-1 | PLASTIC CARRYING CASE | 1 |
| A04B | C10 | 417724-5 | LATCH | 2 |
| A05 | | 818P87-2 | DF333DWAE MODEL NO. LABEL | 1 |
| A05C | | 818P91-1 | DF333DWME MODEL NO. LABEL | 1 |
| A05D | | 818P89-8 | DF333DSME MODEL NO. LABEL | 1 |
| A08 | | 456128-6 | BATTERY COVER | 1 |
| A09 | | ***DC10WD | DC10WD BATTERY CHARGER | 1 |
| A09B | D10 | | COMPO-PARTS | |
| A09D | | ***DC10SB | DC10SB BATTERY CHARGER | 1 |
| A09D | D10 | | COMPO-PARTS | |
| A10B | | 197396-9 | BATTERY BL1021B SET | 2 |
| A10 | | 197406-2 | BATTERY BL1041B SET | 2 |
| A10-1B | | 197396-9 | BATTERY BL1021B SET | 2 |
| A10-1 | | 197406-2 | BATTERY BL1041B SET | 2 |
| A10-2B | | 191B85-0 | BATTERY BL1021B SET | 2 |
| A10-2 | | 191B86-8 | BATTERY BL1041B SET | 2 |
| A10-2E | | 191B84-2 | BATTERY BL1016 SET | 2 |